

### PRODUCT SPECIFICATIONS

Elkay Stainless Steel 17" x 17-1/2" x 1-1/8" Bottom Grid. Overall dimensions are 17" x 17-1/2" x 1-1/8".

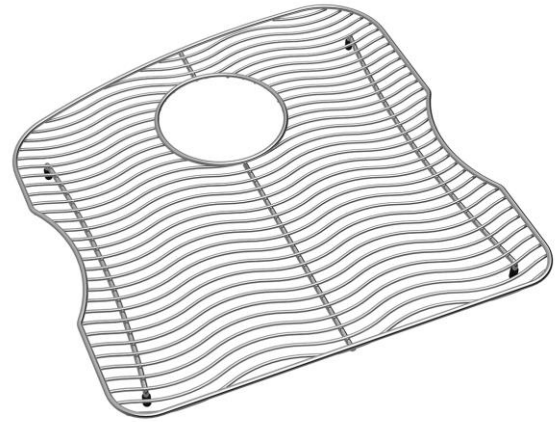
Made of Stainless Steel

Bottom grids are:

- Custom designed to protect and cover the bottom of your sink.
- Properly positioned opening for convenient access to drain or disposer.
- Built from solid stainless steel to resist corrosion and provide years of service.

<b>Material:</b>	Stainless Steel
<b>Finish:</b>	Polished Stainless Steel
<b>Dimensions:</b>	17" x 17-1/2" x 1-1/8"
<b>Fits Bowl Size(s):</b>	18" x 18-1/2"

**Special Note:** For bowls with rear center drain opening.

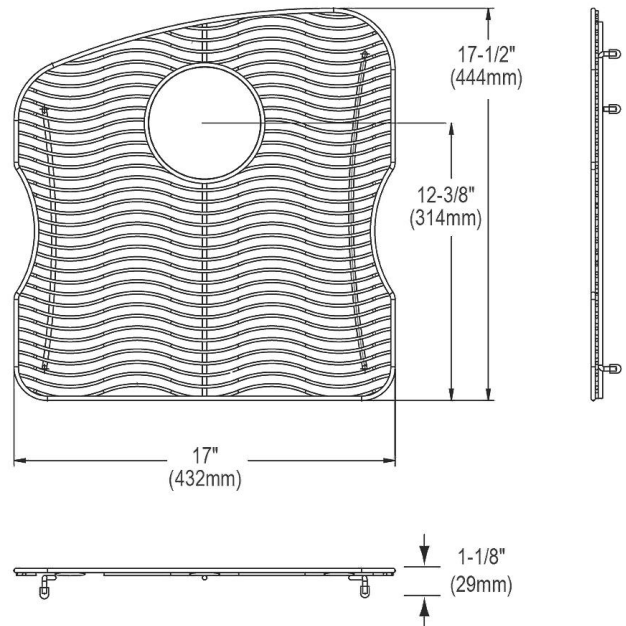


AMERICAN PRIDE. A LIFETIME TRADITION. Like your family, the Elkay family has values and traditions that endure. For almost a century, Elkay has been a family-owned and operated company, providing thousands of jobs that support our families and communities.

[Clean and Care Manual \(PDF\)](#)

[Clean and Care Manual \(PDF\)](#)

[Warranty \(PDF\)](#)



PART: \_\_\_\_\_ QTY: \_\_\_\_\_

PROJECT: \_\_\_\_\_

CONTACT: \_\_\_\_\_

DATE: \_\_\_\_\_

NOTES: \_\_\_\_\_

APPROVAL: \_\_\_\_\_

*In keeping with our policy of continuing product improvement, Elkay reserves the right to change product specifications without notice. Please visit [elkay.com](http://elkay.com) for the most current version of Elkay product specification sheets. This specification describes an Elkay product with design, quality, and functional benefits to the user. When making a comparison of other producers' offerings, be certain these features are not overlooked.*

Included Accessories		
<a href="#">item</a>	included_accessories_description <a href="#">Spec Sheet (PDF)</a>	
Optional Accessories		
<a href="#">item</a>	bottom_grid_description <a href="#">Spec Sheet (PDF)</a>	
<a href="#">item</a>	colander_description <a href="#">Spec Sheet (PDF)</a>	
<a href="#">item</a>	cutting_board_description <a href="#">Spec Sheet (PDF)</a>	
<a href="#">item</a>	drain_description <a href="#">Spec Sheet (PDF)</a>	
<a href="#">item</a>	faucet_description <a href="#">Spec Sheet (PDF)</a>	
<a href="#">item</a>	rinsing_basket_description <a href="#">Spec Sheet (PDF)</a>	
<a href="#">item</a>	sinkmate_description <a href="#">Spec Sheet (PDF)</a>	
<a href="#">item</a>	optional_accessories_description <a href="#">Spec Sheet (PDF)</a>	

*In keeping with our policy of continuing product improvement, Elkay reserves the right to change product specifications without notice. Please visit [elkay.com](http://elkay.com) for the most current version of Elkay product specification sheets. This specification describes an Elkay product with design, quality, and functional benefits to the user. When making a comparison of other producers' offerings, be certain these features are not overlooked.*